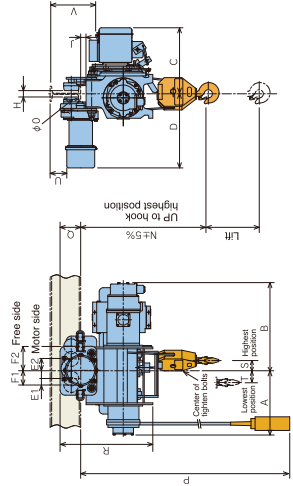


Monorail Type U2

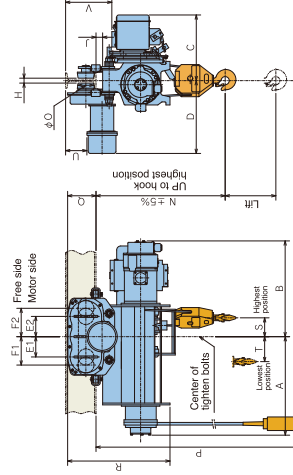
(1/2t · 1t · 2.8t · 3t · 5t)

※Contact us for 400V class outline

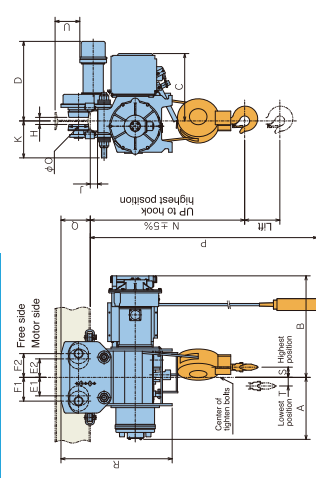
U2-1/2-LMH2



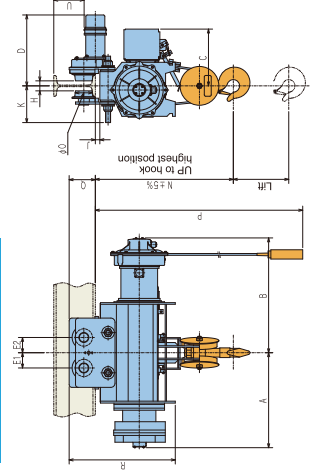
U2-1/2-HMH2



U2-1 · 2 · 2.8 · 3



U2-5

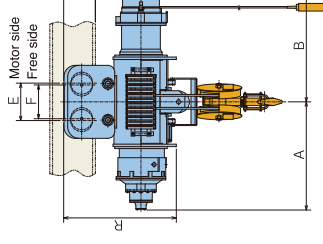


Monorail Type U2

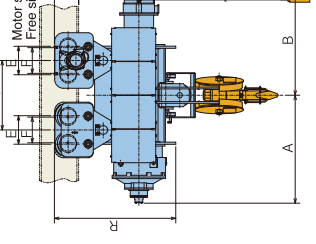
(7.5t · 10t · 15t · 20t)

※Contact us for 400V class outline

U2-7.5A · 10A



U2-15A · 20A



Model	U2-1/2		U2-1		U2-2		U2-2.8(3)		U2-5											
	LMH2	LMS2	LMH2	HMH2	HMS2	LMH2	LMS2	HMH2	HMS2	LMH3	LMS3	HMH3	HMS3							
Cap.(t)	6	12	6	12	6	12	6	12	6	12	8	12	5							
Lift(m)	A	315	485	321	508	352	509	373	542	685	810	685	810							
	B	433	473	518	551	577	605	658	689	830	955	689	830							
	C	324	345	345	383	408	408	408	408	410	410	410	410							
	E1	38	100	100	105	105	105	105	110	110	110	110	110							
	E2	58	100	100	105	105	105	105	110	110	110	110	110							
	F1	70	140	140	135	135	135	135	135	135	135	135	135							
	F2	120	140	140	135	135	135	135	135	135	135	135	135							
Dimensions(mm)	N	625	635	735	875	1045	1045	1045	1045	996	996	996	996							
	O	73	80	80	114	114	114	114	125	125	125	125	125							
	P	6000	12000	6000	12000	6000	12000	6000	12000	8000	12000	8000	12000							
	R	455	505	545	632	720	720	720	720	766	766	766	766							
	S	50	93	71	105	58	101	60	97	—	—	—	—							
	T	58	123	42	119	49	113	47	115	—	—	—	—							
	Min.rad.curvature(m)	1.2(4.0)	1.8(7.0)	1.8(7.0)	1.8(7.0)	1.8(5.0)	2.0	2.0	2.0	5.0	6.3	5.0	6.3	7.00						
Weight(kg)	120	150	175	190	290	315	390	425	630	700	42	42	42							
Hook block weight(kg)	4.5	7.5	15	15	15	15	15	15	15	15	15	15	15							
I-Beam related dimensions	D	H	J	O	U	V	D	H	J	O	U	V	D	H	J	O	U	V		
	364	30	27	100	75	216	360	24	33	140	105	227	360	24	33	140	105	227		
Applicable I-Beam(mm)	200X100X7	376	54	26	101	125	265	372	48	33	140	155	277	372	48	33	140	155	277	
	260X125X7.5	385	74	31	142	203	385	74	31	142	203	465	64	39	169	188	465	64	39	169
	300X150X8	478	90	38	170	237	478	90	38	170	237	524	96	27	193	365	524	96	27	193
	300X150X11.5	478	90	29	179	228	478	90	24	179	228	512	72	31	189	216	512	72	31	189
	460X175X13	—	—	—	—	—	—	—	—	—	—	—	—	—	—	—	—	—	—	—
	600X190X13	—	—	—	—	—	—	—	—	—	—	—	—	—	—	—	—	—	—	—

Note: rad.curf. (at I-Beam) U2-1/2, 1...150X75X5.5 U2-2...300X100X7 Note: Applicable I-Beam: Standard = Standard, Required special attachment = Required special attachment

Model	U2-7.5A		U2-10A		U2-15A		U2-20A						
	LMH6	LMS6	HMH6	HMS6	LMH6	LMS6	HMH6	HMS6					
Cap.(t)	8	12.5	5.0	12.5	8	12	15	20					
Lift(m)	A	881	1006	1074	1045	1195	1235	1243					
	B	1004	1129	1084	1085	1235	1235	1235					
	C	458	300	328	300	328	328	328					
	E	270	270	296	296	270	270	296					
	F	—	—	—	—	—	—	—					
	G	497	528	430	430	800	800	800					
	K	1270	1450	1930	1930	2090	2090	2090					
Dimensions(mm)	O	173	12000	8000	8000	12000	12000	12000					
	P	8000	903	988	1268	1268	1268	1268					
	Min.rad.curvature(m)	5.0	12.5	5.0	12.5	5.0	12.5	12.5					
	Weight(kg)	900	970	1250	1350	2200	2350	2700					
	Hook block weight(kg)	80	80	100	190	190	190	280					
	I-Beam related dimensions	D	H	J	O	U	V	D	H	J	O	U	V
		578	60	49	254	117	150	604	54	49	279	141	210
Applicable I-Beam(mm)	450X175X13	590	85	49	254	117	150	617	78	49	279	141	210
	600X190X13	598	100	50	253	116	151	624	84	50	278	140	211

Note: Applicable I-Beam: Standard = Standard, Required special attachment = Required special attachment

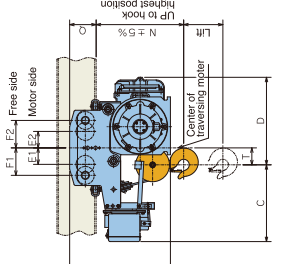
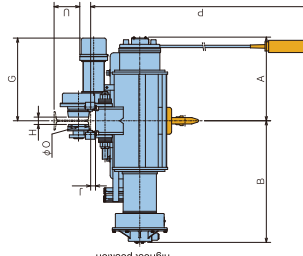
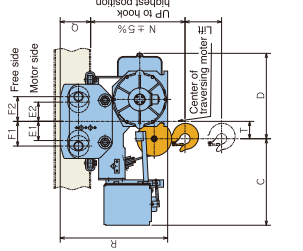
Low-head Type



(1/2t · 1t · 2t · 2.8t · 3t · 5t)

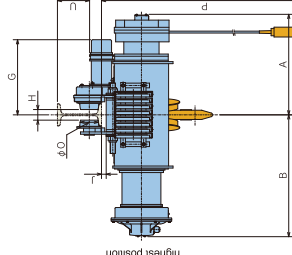
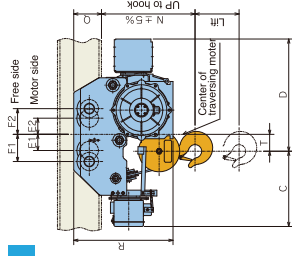
※Contact us for 400V class outline

U2-1/2 · 1 · 2

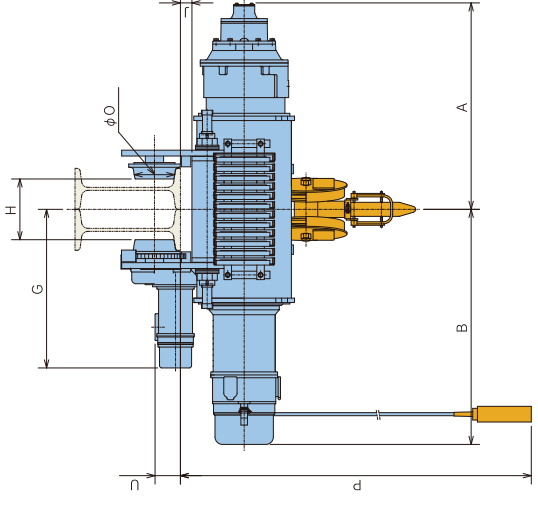
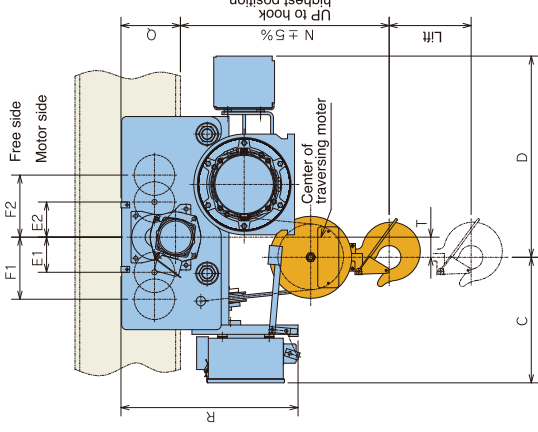


U2-2.8 · 3

U2-5



U2-7.5 · 10



Low-head Type

(7.5t · 10t)

※Contact us for 400V class outline

Model	U2-1/2		U2-1		U2-2		U2-2.8 (3)			U2-5								
	LDH2	LDS2	LDH2	LDS2	LDH2	LDS2	LDH3	LDS3	LDH3	LDS3	LDH3	LDS3	LDH3	LDS3	LDH3	LDS3		
Cap.(t)	1/2	6	6	12	6	12	6	12	6	12	6	12	6	12	6	12		
Lift(m)	A	433	444	611	457	635	472	622	685	810	668	847	711	861	830	955		
	B	528	616	784	668	847	711	861	830	955	473	490	513	490	513	513		
	C	371	423	423	467	467	558	558	764	764	105	105	110	110	110	110		
	D	272	356	356	467	467	558	558	764	764	105	105	110	110	110	110		
	E1	58	100	100	105	105	105	105	110	110	135	175	175	185	185	185		
	E2	38	100	100	105	105	105	105	110	110	135	175	175	185	185	185		
	F1	120	140	140	135	135	135	135	140	140	175	175	175	175	175	175		
	F2	70	140	140	135	135	135	135	140	140	175	175	175	175	175	175		
	N	345	410	410	505	505	535	535	650	650	800	800	800	800	800	800		
	O	73	80	80	114	114	114	114	125	125	6000	6000	12000	12000	12000	12000		
	P	6000	6000	12000	6000	12000	6000	12000	6000	12000	6000	12000	6000	12000	6000	12000		
	R	410	495	495	588	588	643	643	676	676	86	86	86	86	86	86		
	T	66	58	58	95	95	108	108	115	115	80	80	80	80	80	80		
	Min.rad.curvature(m)	1.2 (4.0)		1.8 (7.0)		1.8 (5.0)			2.0					6.3				
	Weight(kg)	150	200	215	305	340	405	440	640	710	42	42	42	42	42	42		
	Hook block weight(kg)	5.5	8	8	15	15	25	25	42	42	100	100	100	100	100	100		
	H-beam related dimensions	G	H	J	Q	U	G	H	J	Q	U	G	H	J	Q	U		
	150X75X5.5	364	30	19	101	75	360	24	21	140	105	—	—	—	—	—		
	200X100X7	376	54	20	101	125	372	48	21	140	155	453	40	26	167	140		
	250X125X7.5	465	64	24	169	188	465	64	26	169	188	—	—	—	—	—		
	300X150X8	478	90	23	170	237	478	90	23	170	237	—	—	—	—	—		
	300X150X11.5	—	—	—	—	—	—	—	—	—	—	—	—	—	—	—		
	450X175X13	—	—	—	—	—	—	—	—	—	—	—	—	—	—	—		
	600X190X13	—	—	—	—	—	—	—	—	—	—	—	—	—	—	—		

Note: rad.curf. | at H-Beam U2-1/2. 1...150X75X5.5 U2-2...200X100X7 Note Applicable H-Beam =Standard =required special attachment

Model	U2-7.5A			U2-10A		
	LDH6	LDS6	HDH6	LDH6	LDS6	HDH6
Cap.(t)	8	7.5	10	8	10	12
Lift(m)	A	881	1006	949	1074	1074
	B	1004	1129	959	1084	1084
	C	586	586	619	619	619
	D	859	859	946	946	946
	E1	150	150	164	164	164
	E2	150	150	164	164	164
	F1	265	265	285	285	285
	F2	880	880	990	990	990
	N	8000	8000	8000	8000	8000
	O	756	756	873	873	873
	P	86	86	363	363	363
	T	1000	1000	1550	1550	1550
	Weight(kg)	80	80	100	100	100
	Hook block weight(kg)	80	80	100	100	100
	H-beam related dimensions	G	H	J	Q	U
	450X175X13	678	257	49	254	109
	2 rails	693	288	50	253	108
	600X190X13	—	—	—	—	—
	2 rails	—	—	—	—	—

Note Applicable H-Beam =Standard

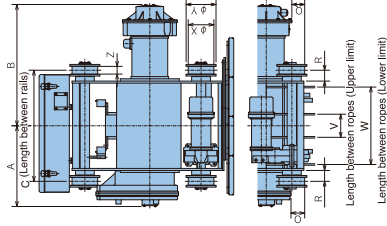
Double rail Type



(2.8t·3t·5t)

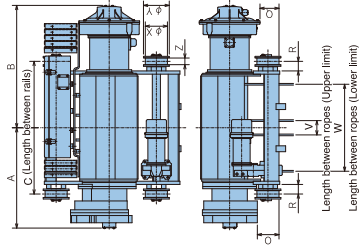
※Contact us for 400V class outline

U2-2.8 · 3



This member is for the traverse gear case protection.
(There is no obstacle even if it detaches it after the installation.)

U2-5



This member is for the traverse gear case protection.
(There is no obstacle even if it detaches it after the installation.)

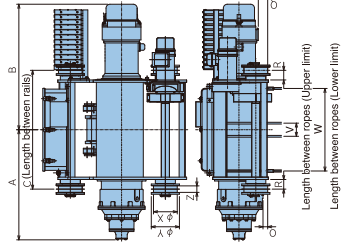
Double rail Type



(7.5t·10t·15t·20t·30t)

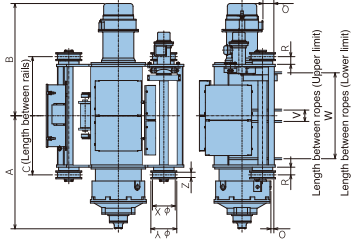
※Contact us for 400V class outline

U2-7.5A · 10A



This member is for the traverse gear case protection.
(There is no obstacle even if it detaches it after the installation.)

U2-15A · 20A · 30A



This member is for the traverse gear case protection.
(There is no obstacle even if it detaches it after the installation.)

Model	U2-2.8 (3)			U2-5			U2-7.5A			U2-10A			U2-15A			U2-20A			U2-30A							
	LRH3A	LRS3A	HRH3A	HRSSA	LRH3A	LRS3A	HRH3A	HRSSA	LRH6	LRS6	HRH6	HRSS6	LRH6	LRS6	HRH6	HRSS6	LRH6	LRS6	HRH6	HRSS6	LRH6	LRS6	HRH6	HRSS6		
Cap.(t)	6	6	6	6	8	8	8	8	8	10	10	10	10	10	10	10	10	10	10	10	10	10	10	10	10	
Lift(m)	472	711	650	680	685	830	900	680	881	1004	950	1200	760	170	223	570	583	575	630	8000	8000	8000	8000	8000	8000	8000
				191																						
				167																						
				75																						
				534																						
				605																						
				410																						
				345																						
				52																						
				6000																						
				75																						
				63																						
				35																						
				43																						
				135																						
				453																						
				150																						
				175																						
				45																						
				440																						
				25																						
Weight(kg)				480																						
Hook block weight(kg)				690																						
Applicable I-Beam(mm)				12kg rails or 38mm steel square bars																						
				42																						
				12kg rails or 44mm steel square bars																						
				100																						
				15kg rails or 50mm steel square bars																						
				280																						
				22kg rails or 50mm steel square bars																						
				280																						
				2600																						
				3700																						
				380																						
				30kg rails or 50mm steel square bars																						

Dimensions(mm)

Suspended Type

U2

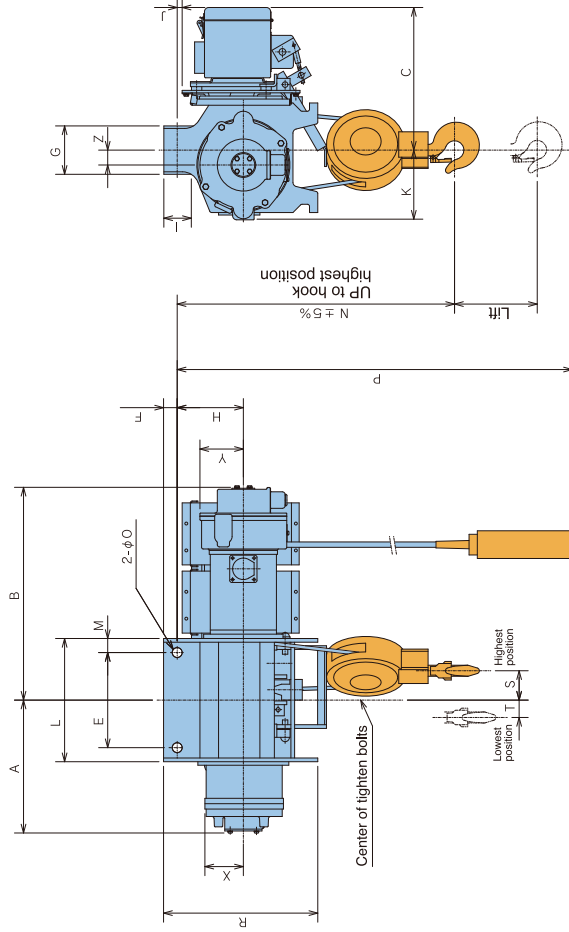
(1/2t · 1t · 2t · 2.8t · 3t)

(5t · 7.5t · 10t)

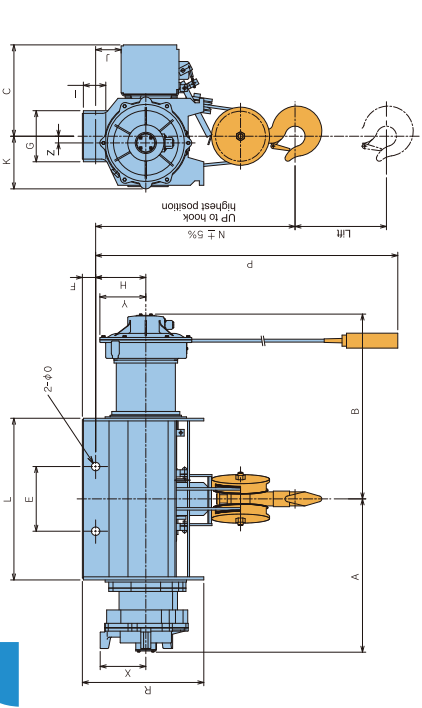
U2-1/2 · 1 · 2 · 2.8 · 3

<LKH2, LKH3, HKH2, HKH3>

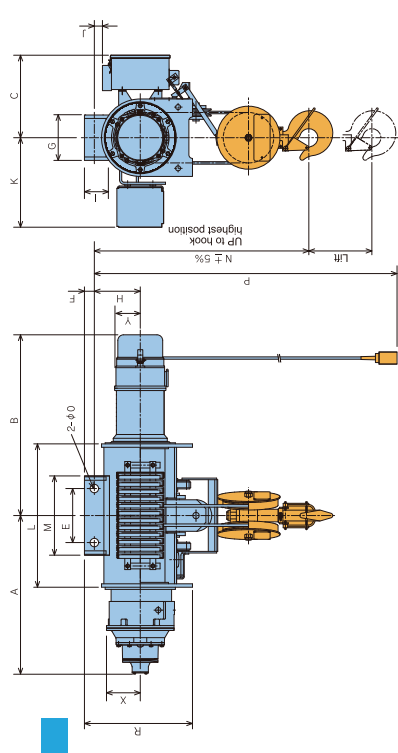
※Contact us for 400V class outline



U2-5



U2-7.5A · 10A



Remarks: Clamping bolts are available for 1/2t~2.8t models separately.

Model	U2-1/2		U2-1		U2-2		U2-2.8 (3)	
	LKH2	HKH2	LKH2	HKH2	LKH2	HKH2	LKH3	HKH3
Cap.(t)	6	12	6	12	6	12	6	12
Lift(m)	315	486	321	508	352	509	373	542
	433	473	518	551	577	605	658	689
	324	324	345	383	383	383	408	408
E	170	230	230	230	230	230	230	230
F	28	33	33	38	38	43	43	43
G	140	117	117	151	151	176	176	176
H	155	117	160	177	177	215	215	215
I	75	78	63	67	63	80	80	80
J	3	12	12	21	21	89	89	89
K	151	167	167	190	190	216	216	216
L	283	483	298	518	323	508	323	523
M	32	42	34	67	47	75	46	77
N	570	670	670	800	800	965	965	965
O	20	24	24	33	33	33	33	33
P	6000	12000	6000	12000	6000	12000	6000	12000
R	328	333	373	425	425	518	518	518
S	50	93	71	105	58	101	60	97
T	58	123	42	119	49	113	47	115
X	87	107	107	140	140	172	172	172
Y	83	105	105	150	150	150	150	150
Z	20	36	36	30	30	30	30	30
Weight(kg)	100	110	145	160	230	255	325	360
Applicable I-Beam(mm)	4.5	7.5	7.5	15	15	15	27	27

The pushbutton position of U2-1/2 is positioned on the side of hoisting deceleration part.

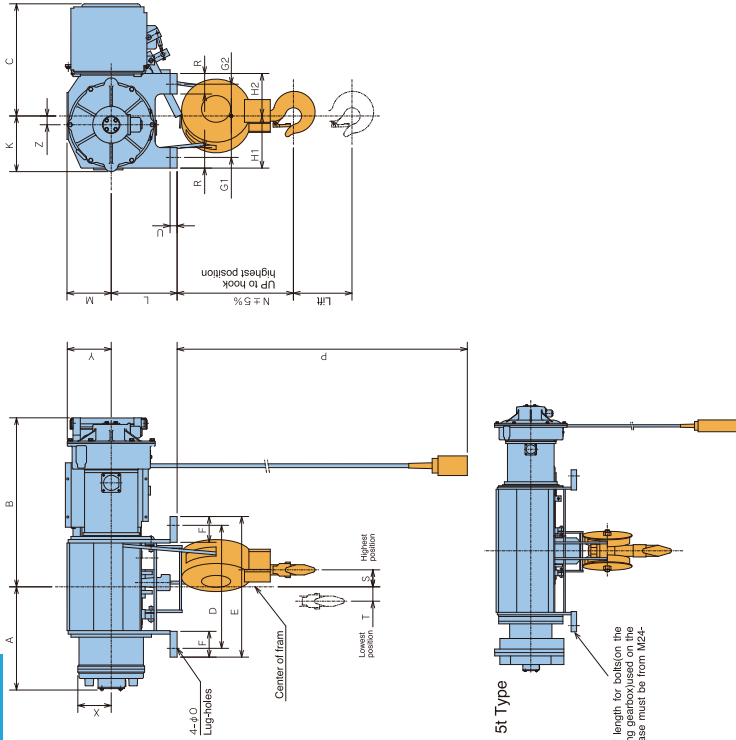
Model	U2-5		U2-7.5A		U2-10A	
	LKH3	HKH3	LKH6	HKH6	LKH6	HKH6
Cap.(t)	8	12	8	12	8	12
Lift(m)	685	810	881	1006	949	1074
	830	955	1004	1129	959	1084
C	410	458	458	493	493	493
E	290	300	300	320	320	320
F	60	61	55	60	60	60
G	229	252	252	252	252	252
H	225	255	255	290	290	290
I	105	106	120	120	120	120
J	114	106	45	100	100	100
K	236	497	497	528	528	528
L	725	975	796	1046	786	1036
M	—	—	440	460	460	460
N	905	1165	1165	1380	1380	1380
O	38	47	47	53	53	53
P	8000	12000	8000	12000	8000	12000
R	546	600	600	660	660	660
X	205	188	188	218	218	218
Y	206	152	152	220	220	220
Z	30	—	—	—	—	—
Weight(kg)	580	650	700	770	1050	1150
Applicable I-Beam(mm)	42	80	80	100	100	100

Dimensions(mm)

Frame mounted Type U2 (1t·2t·2.8t·3t·5t)

※Contact us for 400V class outline

U2-1·2·2.8·3·5

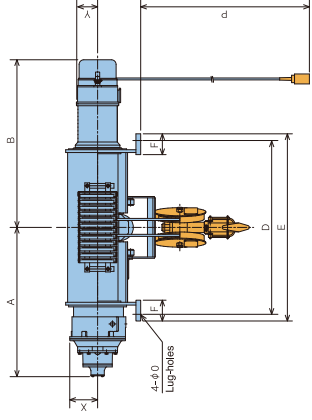


The range of length for bolts on the side of hoisting gearbox used on the side of the case must be from M24-70 to 100.

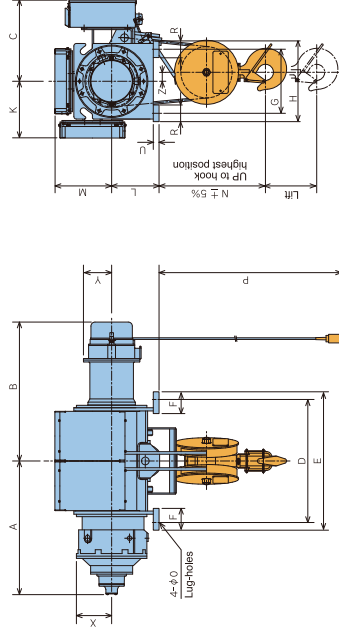
Frame mounted Type U2 (7.5t·10t·15t·20t·30t)

※Contact us for 400V class outline

U2-7.5A·10A



U2-15A·20A·30A



Model	U2-1		U2-2		U2-2.8 (3)		U2-5	
	LSH2	HSH2	LSH2	HSH2	LSH3	HSH3	LSH3	HSH3
Cap.(t)	1	2	2.8 (3)	5				
Lift(m)	6	12	6	12	6	12	8	12
A	321	431	373	473	373	473	685	810
B	518	628	577	678	658	758	830	955
C	345	383	408	410				
D	385	420	430	630	430	630	850	1100
E	435	480	500	700	500	700	920	1170
F	75	88	99	115				
G1·G2	121/84	141/109	170/130	175/145				
H1·H2	151/114	178/145	210/170	220/190				
K	167	190	216	236				
L	180	225	275	260				
M	148	157	181	206				
N	330	490	410	420				
O	15	19	24	28				
P	6000	12000	6000	12000	6000	12000	8000	12000
R	60	70	80	90				
S	71	182	60	166				
T	42	49	47	47				
U	18	24	27	31				
X	107	140	172	205				
Y	105	150	150	206				
Z	36	30	30	30				
Weight(kg)	125	145	320	360	580	650		
Hook block weight(kg)								

Dimensions(mm)

Model	U2-7.5A		U2-10A		U2-15A		U2-20A-HSH6		U2-30A-HSH6	
	LSH6	HSH6	LSH6	HSH6	LSH6	HSH6	LSH6	HSH6	LSH6	HSH6
Cap.(t)	7.5	12	10	15	20	30				
Lift(m)	8	12	8	12	8	12	12	12	12	12
A	881	1006	949	1074	1045	1195	1243	1456		
B	1004	1129	959	1084	1085	1235	1235	1284		
C	493	531	531	633	663	713				
D	920	1170	920	1170	960	1260	1260	1380		
E	1010	1260	1010	1260	1080	1380	1380	1480		
F	140	170	150	170	170	200				
G	370	370	480	500	500	620				
H	470	470	480	630	630	770				
K	497	500	500	458	470	487				
L	290	370	310	370	370	435				
M	245	265	265	443	468	522				
N	580	670	670	810	810	960				
O	35	35	35	47	47	54				
P	8000	12000	8000	12000	8000	12000	12000	12000		
R	100	120	120	130	130	150				
U	31	41	35	41	41	49				
X	188	275	218	308	275	320				
Y	152	220	152	220	220	220				
Z	50	70	53	70	70	80				
Weight(kg)	700	770	1050	1150	1500	2000	2800	3300		
Hook block weight(kg)	80	100	100	190	190	280				

Dimensions(mm)

Monorail Type (High speed type)

(10t · 15t · 20t)

HU2

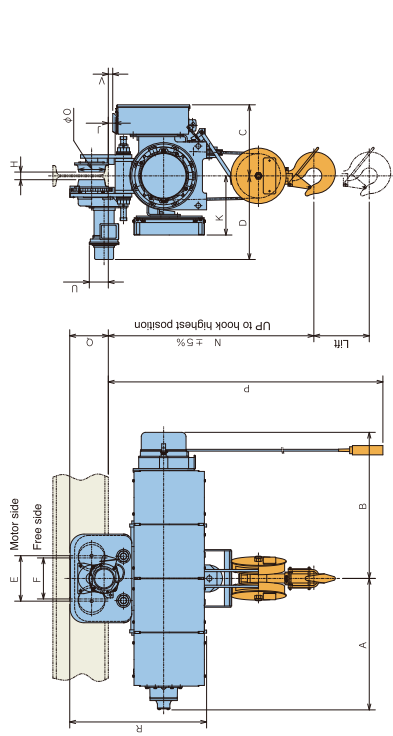
(10t · 15t · 20t · 30t)

※Contact us for 400V class outline

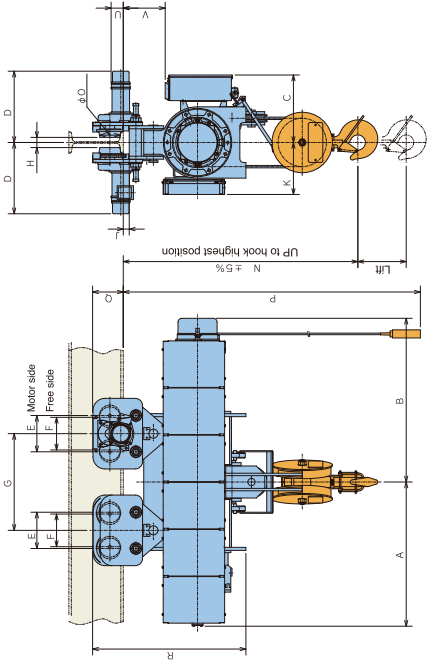
※Contact us for 400V class outline

HU2-10A

HU2-10A · 15A · 20A · 30A



HU2-15A · 20A



Model	HU2-10A				HU2-15A				HU2-20A			
	LMH6	LMS6	HMH6	HMS6	LMH6	LMS6	HMH6	HMS6	LMH6	LMH6	HMH6	HMS6
Cap.(t)	8	10	12	15	8	10	12	15	8	10	12	15
Lift(m)	949	1074	1180	1243	1045	1195	1243	1355	1045	1195	1243	1355
Dimensions(mm)	B	1055	513	296	1205	558	300	270	1205	558	300	270
	C	620	427	1450	1930	620	443	1930	620	443	1930	2090
	D	8000	193	8000	12000	8000	173	12000	8000	35	12000	12000
	E	5.0	12.5	5.0	12.5	5.0	12.5	12.5	8000	120	12000	12000
	F	1400	100	1500	3050	2400	190	2550	370	480	630	500
	G	604	54	279	141	328	296	296	620	480	630	500
	H	617	78	49	279	49	279	49	620	480	630	500
	I	624	94	50	278	140	33	598	624	480	630	500
	J	624	94	50	278	140	33	598	624	480	630	500
	K	616	78	49	279	49	279	49	624	480	630	500
	L	616	78	49	279	49	279	49	624	480	630	500
	M	616	78	49	279	49	279	49	624	480	630	500
	N	616	78	49	279	49	279	49	624	480	630	500
	O	616	78	49	279	49	279	49	624	480	630	500
	P	616	78	49	279	49	279	49	624	480	630	500
	Q	616	78	49	279	49	279	49	624	480	630	500
R	616	78	49	279	49	279	49	624	480	630	500	
S	616	78	49	279	49	279	49	624	480	630	500	
T	616	78	49	279	49	279	49	624	480	630	500	
U	616	78	49	279	49	279	49	624	480	630	500	
V	616	78	49	279	49	279	49	624	480	630	500	
W	616	78	49	279	49	279	49	624	480	630	500	
X	616	78	49	279	49	279	49	624	480	630	500	
Y	616	78	49	279	49	279	49	624	480	630	500	
Z	616	78	49	279	49	279	49	624	480	630	500	
Weight(kg)	1200	1200	1300	1700	1200	1300	1700	1900	1200	1300	1700	1900
Hook block weight(kg)	1200	1200	1300	1700	1200	1300	1700	1900	1200	1300	1700	1900

Note Applicable HBeam =Standard

Frame mounted (High speed type)

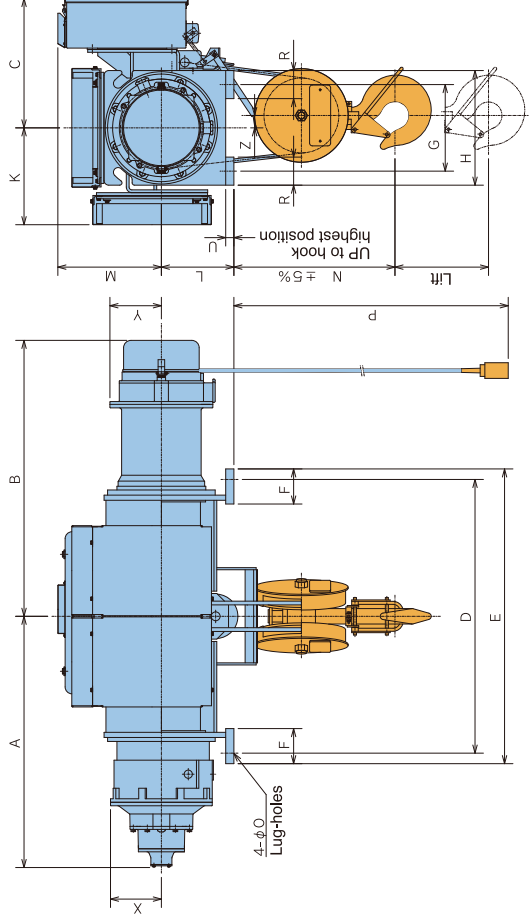
(10t · 15t · 20t · 30t)

HU2

(10t · 15t · 20t · 30t)

※Contact us for 400V class outline

HU2-10A · 15A · 20A · 30A

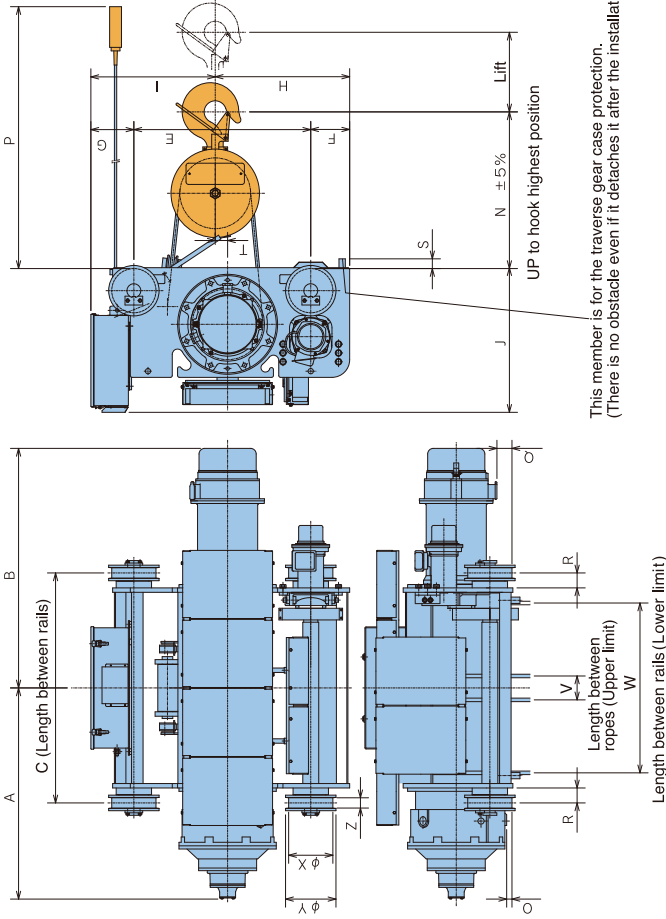


Model	HU2-10A		HU2-15A		HU2-20A		HU2-30A	
	LSH6	HS6	LSH6	HS6	LSH6	HS6	LSH6	HS6
Cap.(t)	8	10	8	15	20	30	20	30
Lift(m)	949	1074	1045	1195	1243	1456	1243	1456
Dimensions(mm)	B	1055	1180	1205	1355	1405	1355	1405
	C	553	553	633	633	663	713	663
	D	920	1170	960	1260	1260	1380	1260
	E	1010	1260	1080	1380	1380	1480	1380
	F	150	150	170	170	170	200	170
	G	370	370	500	500	500	620	500
	H	480	480	630	630	640	770	640
	I	414	414	458	458	470	567	470
	J	310	310	370	370	395	435	395
	K	443	443	443	443	468	522	468
	L	670	670	810	810	870	960	870
	M	35	35	47	47	47	54	47
	N	8000	12000	8000	12000	12000	12000	12000
	O	120	120	130	130	140	150	140
	P	35	35	41	41	41	49	41
	Q	302 (to resistor)	218	275	275	308	320	308
R	220	220	220	220	220	220	220	
S	53	53	70	70	70	80	70	
T	1200	1300	1700	1850	2200	3500	2200	
U	100	100	190	190	280	380	280	
V	100	100	190	190	280	380	280	
W	100	100	190	190	280	380	280	
X	100	100	190	190	280	380	280	
Y	100	100	190	190	280	380	280	
Z	100	100	190	190	280	380	280	
Weight(kg)	1200	1300	1700	1850	2200	3500	2200	3500
Hook block weight(kg)	1200	1300	1700	1850	2200	3500	2200	3500

Double rail Type(High speed type) HU2 (10t・15t・20t・30t)

※Contact us for 400V class outline

HU2-10A・15A・20A・30A



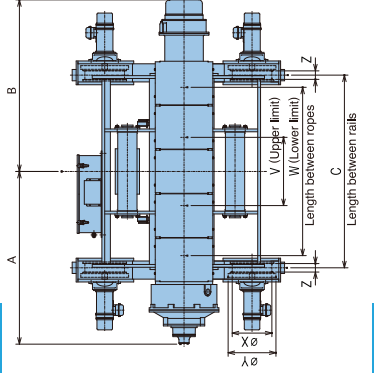
This member is for the traverse gear case protection.
(There is no obstacle even if it detaches it after the installation.)

Model	HU2-10A			HU2-15A			HU2-20A			HU2-30A		
	LRH6	HRH6	HRH6	LRH6	HRH6	HRH6	LRH6	HRH6	HRH6	LRH6	HRH6	HRH6
Cap.(t)	8	10	15	8	12	20	8	12	20	8	12	30
Lift(m)	A	949	1074	1045	1195	1243	1045	1195	1243	1045	1195	1456
	B	1055	1180	1355	1055	1355	1405	1055	1355	1405	1055	1405
	C	950	1200	1300	1000	1300	1400	1000	1300	1400	1000	1400
	E	840	1000	1045	1045	1045	1190	1045	1045	1190	1045	1190
	F	170	220	248	220	248	246	220	248	246	220	246
	G	253	613	790	243	790	850	243	790	850	243	850
	H	650	703	806	703	806	868	703	806	868	703	868
	I	753	813	824	813	824	868	813	824	868	813	868
	N	710	860	910	860	910	1020	860	910	1020	860	1020
	O	38	30	32	30	32	15	30	32	15	30	15
	P	8000	8000	12000	8000	12000	12000	8000	12000	12000	8000	12000
	Q	30	85	120	85	120	115	85	120	115	85	115
	R	82	84	84	84	84	89	84	84	89	84	89
	S	55	55	55	55	55	45	55	55	45	55	45
	T	53	70	70	70	70	80	70	70	80	70	80
	V	100	100	135	110	135	150	110	135	150	110	150
W	620	870	960	660	960	990	660	960	990	660	990	
X	190	250	250	250	250	285	250	250	285	250	285	
Y	225	285	285	285	285	285	285	285	285	285	285	
Z	52	58	58	58	58	73	58	58	73	58	73	
Weight(kg)	1450	1560	2400	2200	2400	3900	2200	2400	3900	2200	3900	
Hook block weight(kg)	100	190	280	190	280	280	190	280	280	190	380	
Applicable I-Beam(mm)	15kg rails or 44mm steel square bars			22kg rails or 50mm steel square bars			22kg rails or 50mm steel square bars			37kg rails or 65mm steel square bars		

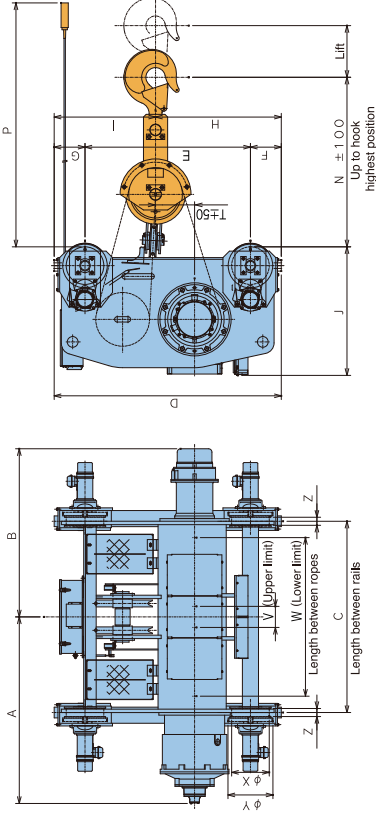
Double rail Type(High speed type) U2 (40t・45t)

※Contact us for 400V class outline

U2-40A・HU2-40A



U2-45A・HU2-45A



Model	U2-40A			HU2-40A			U2-45A			HU2-45A		
	LRH6	HRH6	HRH6	LRH6	HRH6	HRH6	LRH6	HRH6	HRH6	LRH6	HRH6	HRH6
Cap.(t)	40	40	45	40	40	45	40	40	45	40	40	45
Lift(m)	A	6.5	11.5	6.5	11.5	11.5	6.5	11.5	11.5	6.5	11.5	19
	B	1515	1865	1635	1525	1875	1740	1525	1875	1740	1525	1740
	C	1700	2400	1700	1700	2400	1565	1700	2480	1565	1700	2035
	D	1874	1874	2114	1874	1874	2480	1874	2114	1780	1874	2480
	E	1300	1300	1540	1300	1300	1540	1300	1540	1300	1300	1540
	F	287	287	287	287	287	287	287	287	287	287	287
	G	287	287	287	287	287	287	287	287	287	287	287
	H	968	968	1170	968	968	1170	968	968	1170	968	1170
	I	906	906	944	906	906	944	906	906	944	906	944
	J	1055	1055	1200	1055	1055	1200	1055	1055	1200	1055	1200
	N	1110	1110	1600	1110	1110	1600	1110	1110	1600	1110	1600
	P	7500	7500	20500	7500	7500	20500	7500	7500	20500	7500	20500
	T	81	81	363	81	81	363	81	81	363	81	363
	V	602	602	196	602	602	196	602	602	196	602	196
	W	1485	2164	2164	1485	2164	2164	1485	2164	2164	1485	2164
	X	350	350	350	350	350	350	350	350	350	350	350
Y	419	419	419	419	419	419	419	419	419	419	419	
Z	75	75	75	75	75	75	75	75	75	75	75	
Weight(kg)	5000	5500	6700	5000	5500	6700	5000	5500	6700	5000	6300	
Hook block weight(kg)	640	640	590	640	640	590	640	640	590	640	590	
Applicable I-Beam(mm)	37kg rails or 65mm steel square bars			37kg rails or 65mm steel square bars			37kg rails or 65mm steel square bars			37kg rails or 65mm steel square bars		